

STANDARD DIMENSIONS			
	PART NUMBER	A INCHES (MM)	$\phi$ B INCHES (MM)
FIGURE 1	550-740-400823	1.58" (40.1)	7.28" (184.9)
	550-740-600671	1.58" (40.1)	7.28" (184.9)
FIGURE 2	550-740-100755	0.70" (17.9)	2.27" (57.6)
	550-740-400898	0.59" (15.1)	2.27" (57.6)
FIGURE 3	550-740-400817	2.38" (60.3)	6.55" (166.4)
	550-740-400910	2.38" (60.3)	6.52" (165.6)
FIGURE 4	550-740-400840	9.44" (239.7)	6.66" (169.2)

FIGURE 1

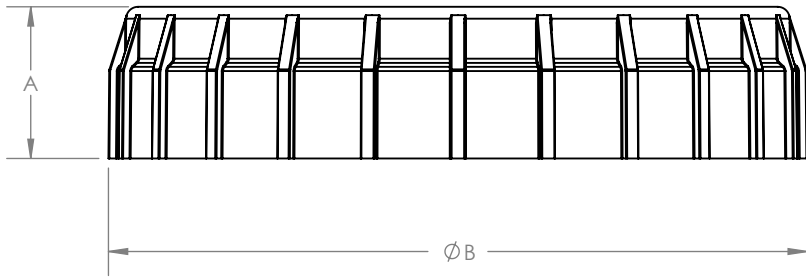


FIGURE 2

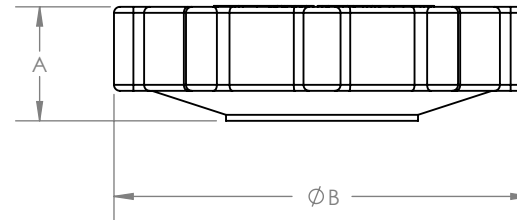


FIGURE 3

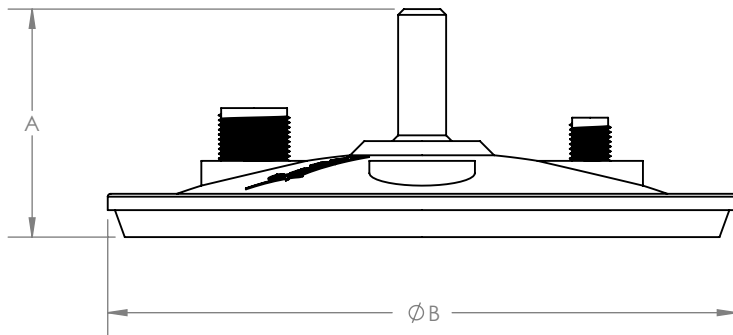
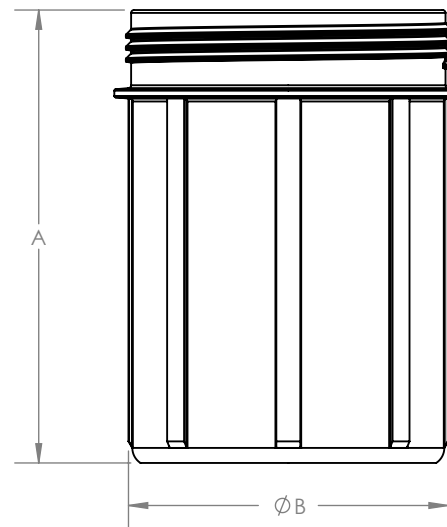


FIGURE 4



STANDARD DIMENSIONS			
	PART NUMBER	A INCHES (MM)	B INCHES (MM)
<b>FIGURE 1</b>	550-740-100756	9.19" (233.4)	2.27" (57.6)
<b>FIGURE 2</b>	550-740-400837	4.82" (122.5)	3.27" (83.1)

FIGURE 1

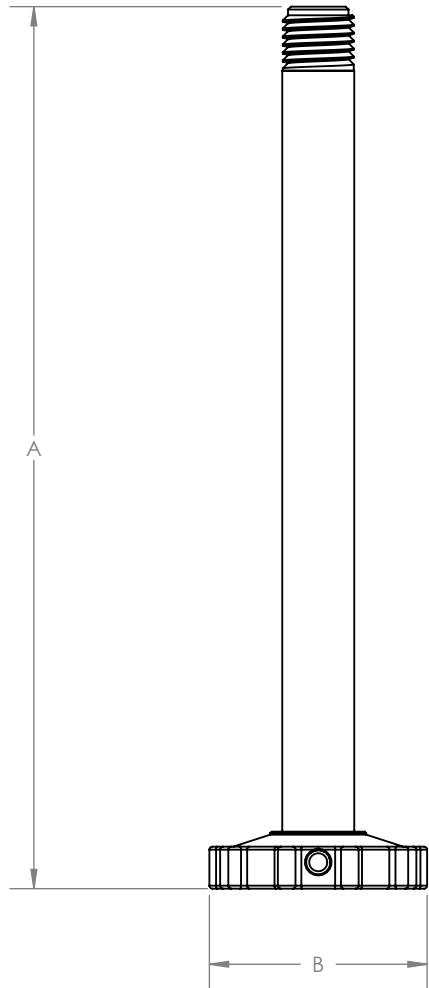


FIGURE 2

