



HELIX Oscillating Biomixer[®] and Turn Table

Available Through SavilleX,
a Lifecycle Biotechnologies Preferred Partner

The HELIX Oscillating Biomixer[®] from Lifecycle Biotechnologies is a highly versatile mixing system designed for use in a variety of Life Sciences applications. Designed as a single-use closed system, it is the perfect addition to the SavilleX product offering of specialty material handling solutions for Life Sciences.



Design Features

The HELIX Oscillating Biomixer is manufactured with USP Class VI polypropylene under CGMP regulations in an ISO 9001 facility.

Designed as a closed system, it requires no inserted mixing apparatus, thus minimizing contamination risk when used with the HELIX Turn Table. This unique, fully programmable mixing platform provides the user with full control of shear along with uniform mixing performance.

The HELIX Oscillating Biomixer is fully recyclable with molded-in reference graduation markings and screw threads that are compatible with 3rd party assembly systems, including GL45 closures.

Product Specifications

In general, polypropylene has excellent compatibility with most Life Sciences buffers and solutions.

Maximum Use Temp	121° C
Brittleness Temp	0° C
Transparency	Translucent
Flexibility	Rigid
WVTR	3.9 g-mm/m ² /day at 25°C & 90% RH
Cytotoxicity	Resin has been found non-cytotoxic by USP biocompatibility standards
Recyclability	5 PP



HELIX Oscillating Biomixer[®]

HELIX Oscillating Biomixer® and Turn Table

Available Through Savillex, a Lifecycle Biotechnologies Preferred Partner

Savillex Data Sheet

Key Applications

The HELIX Oscillating Biomixer and Turn Table are ideal for use by process development and manufacturing teams in pre-clinical, clinical, and scale-up manufacturing settings.

Notable applications include:

Buffer and Media Prep
Formulation
Intermediary Processing
Fill-Finish

Sterilization

Available certified cleaned and irradiated ready-to-use. For reuse, autoclave sterilization of the empty HELIX Oscillating Biomixer is recommended prior to use. It can be autoclaved up to 10 times without evidence of deformation, discoloration, cracking, or crazing. Other suitable methods of sterilization are ethylene/propylene oxide, microwave, and chemical sanitization with alcohol. Dry heat or radiation sterilization methods are not recommended for reuse.

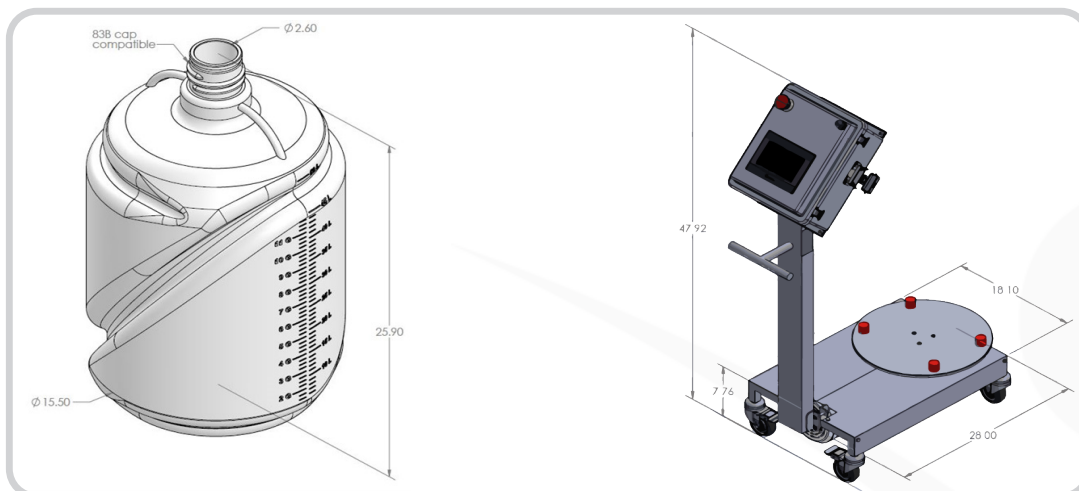


HELIX Turn Table

Ordering Information

Savillex and Lifecycle Biotechnologies are happy to provide regulatory support, on-site audits, and change notifications to customers as needed. Please contact your Savillex Rep today for more information or through info@savillex.com.

Part #	Product Description	Part #	Product Description
990-01-100172A	50 L HELIX Oscillating Biomixer® with 83B Cap	990-01-100190A	HELIX Oscillating Biomixer® Cleaning Brush
990-01-100179	50 L HELIX Oscillating Biomixer® certified cleaned/irradiated	990-01-100142A	Sealing Cap
990-01-200500A	HELIX Turn Table	990-01-100175A	Sealing Cap with Sterile Vent Filter
990-01-100180A	HELIX Oscillating Biomixer® Funnel	990-01-472906	HELIX Liquid Cleanse Detergent



HELIX Oscillating Biomixer® dimensions

HELIX Turn Table dimensions

HELIX Oscillating Biomixer® is a registered trademark of Lifecycle Biotechnologies.



Savillex

10321 West 70th St. | Eden Prairie, MN 55344-3446 USA | Phone: 952.935.4100

Email: info@savillex.com | www.savillex.com

DS019 030623