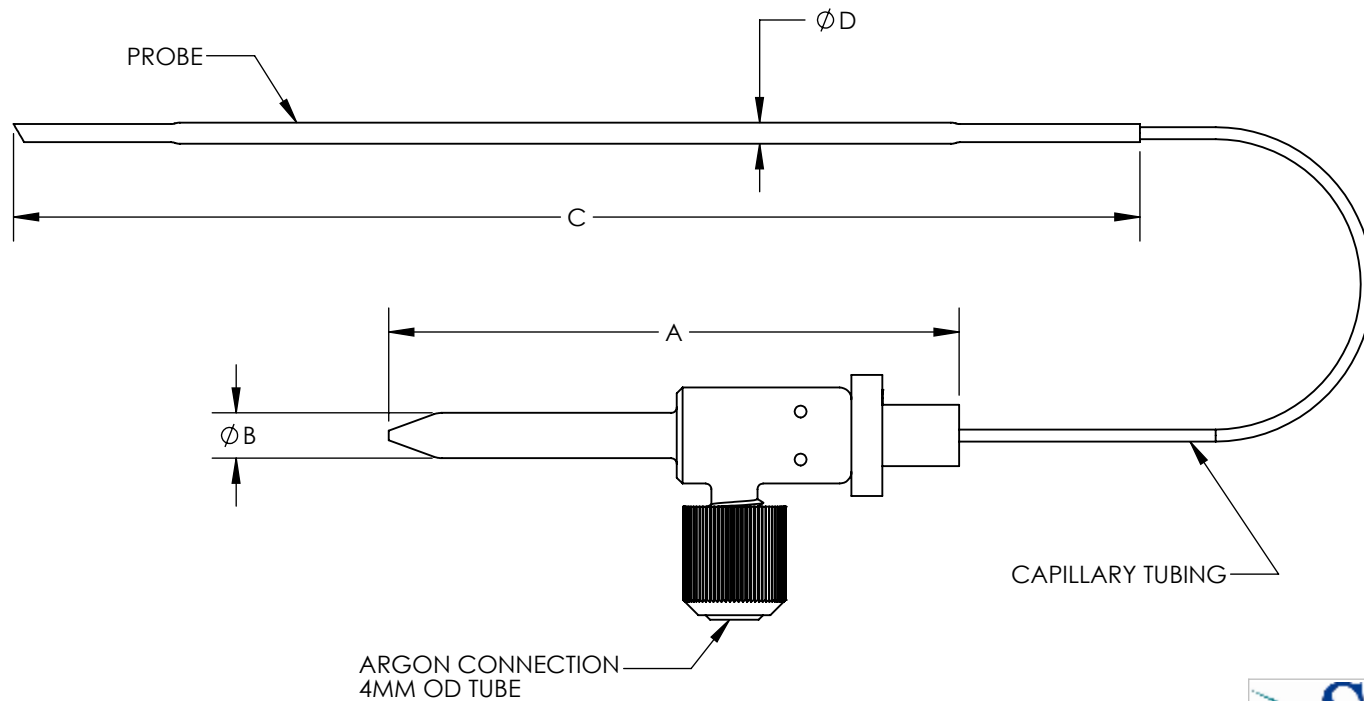


STANDARD DIMENSIONS

PART NUMBER	UPTAKE RATE μl/min	AUTOSAMPLER COMPATIBILITY	PROBE MATERIAL	FOR DESOLVATOR USE?	A INCHES (MM)	B INCHES (MM)	C INCHES (MM)	D INCHES (MM)	TUBING LENGTH INCHES (MM)
800-1-003-01-00	35	-	-	NO	3.07" (78.0)	0.24" (6.0)	-	-	35.43" (900.0)
800-1-003-04-00	35	ESI SC MICRO/CETAC ASX110/112	CARBON FIBER	NO	3.07" (78.0)	0.24" (6.0)	5.67" (144.0)	0.11" (2.9)	39.37 (1000.0)
800-1-003-08-00	35	ESI SC2	CARBON FIBER	NO	3.07" (78.0)	0.24" (6.0)	7.76" (197.0)	0.11" (2.9)	39.37 (1000.0)
800-1-005-03-00	50	CETAC ASX110/112	CARBON FIBER	YES	3.07" (78.0)	0.24" (6.0)	5.67" (144.0)	0.13" (3.2)	39.37 (1000.0)
800-1-005-05-00	50	ESI SC2	CARBON FIBER	YES	3.07" (78.0)	0.24" (6.0)	7.76" (197.0)	0.11" (2.9)	39.37 (1000.0)
800-1-010-03-00	115	CETAC ASX110/112	CARBON FIBER	YES	3.07" (78.0)	0.24" (6.0)	5.67" (144.0)	0.13" (3.2)	39.37 (1000.0)
800-1-010-05-00	115	ESI SC2	CARBON FIBER	YES	3.07" (78.0)	0.24" (6.0)	7.76" (197.0)	0.11" (2.9)	39.37 (1000.0)
800-1-010-07-00	115	ESI SC MICRO	CARBON FIBER	YES	3.07" (78.0)	0.24" (6.0)	5.67" (144.0)	0.11" (2.9)	39.37 (1000.0)
800-1-020-03-00	210	CETAC ASX110/112	CARBON FIBER	YES	3.07" (78.0)	0.24" (6.0)	5.67" (144.0)	0.13" (3.2)	39.37 (1000.0)

*** NOTE: The tubing length is measured from the body of the nebulizer to the end of the uptake tube.**




 10321 West 70th St.
 Eden Prairie, MN
 55344-3446 USA
 (952)935-4100

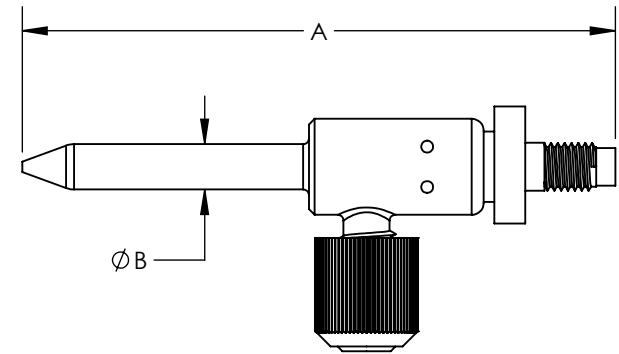
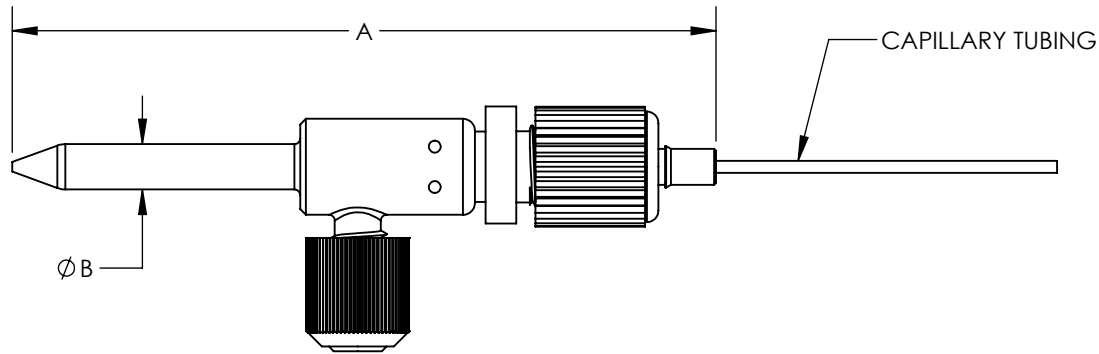
TITLE: C-FLOW NEBULIZER
 DIMENSIONS

REV.
H

STANDARD DIMENSIONS

	PART NUMBER	UPTAKE RATE μl/min	FOR DESOLVATOR USE?	A INCHES (MM)	B INCHES (MM)	TUBING LENGTH INCHES (MM)
FIGURE 1	800-2-040-01-00	400	NO	3.67" (93.1)	0.24" (6.0)	31.50" (800.0)
	800-2-070-01-00	700	NO	3.67" (93.1)	0.24" (6.0)	31.50" (800.0)
FIGURE 2	800-3-040-00-00	400	NO	3.09" (78.5)	0.24" (6.0)	-

* NOTE: The tubing length is measured from the body of the nebulizer to the end of the uptake tube.



SavilleX 10321 West 70th St.
Eden Prairie, MN
55344-3446 USA
(952)935-4100

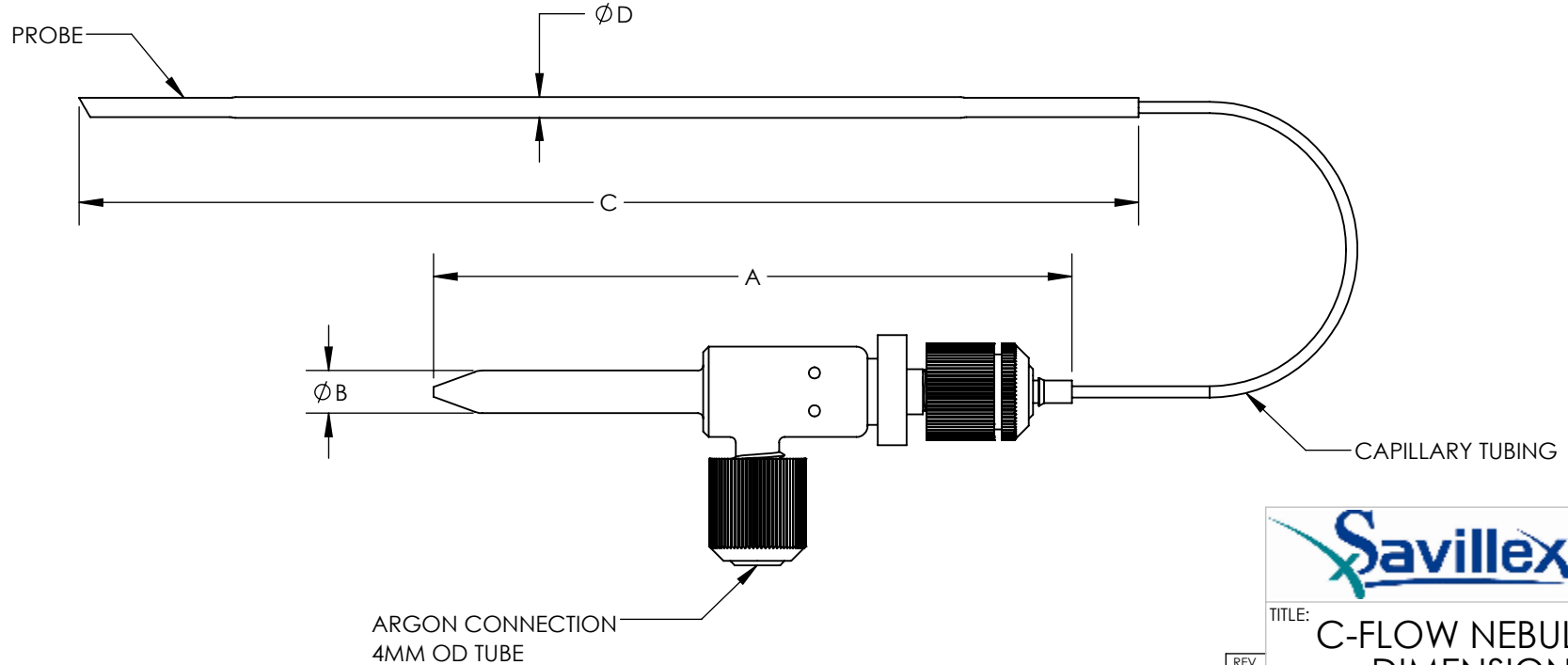
TITLE: **C-FLOW NEBULIZER
DIMENSIONS**

REV:
H

STANDARD DIMENSIONS

PART NUMBER	UPTAKE RATE μl/min	AUTOSAMPLER COMPATIBILITY	PROBE MATERIAL	FOR DESOLVATOR USE?	A INCHES (MM)	B INCHES (MM)	C INCHES (MM)	D INCHES (MM)	TUBING LENGTH INCHES (MM)
800-4-005-01-00	50	-	-	NO	3.53" (89.8)	0.24" (6.0)	-	-	39.37 (1000.0)
800-4-005-02-00	50	AGILENT I-AS	POLYIMIDE	NO	3.53" (89.8)	0.24" (6.0)	5.67" (144.0)	0.10" (2.8)	27.56" (700.0)
800-4-005-04-00	50	ESI SC MICRO/CETAC ASX110/112	CARBON FIBER	NO	3.53" (89.8)	0.24" (6.0)	5.67" (144.0)	0.11" (2.9)	39.37 (1000.0)
800-4-005-08-00	50	ESI SC2	CARBON FIBER	NO	3.53" (89.8)	0.24" (6.0)	7.76" (197.0)	0.11" (2.9)	39.37 (1000.0)
800-4-010-01-00	100	-	-	NO	3.53" (89.8)	0.24" (6.0)	-	-	39.37 (1000.0)
800-4-010-02-00	100	AGILENT I-AS	POLYIMIDE	NO	3.53" (89.8)	0.24" (6.0)	5.67" (144.0)	0.10" (2.8)	27.56" (700.0)
800-4-010-04-00	100	ESI SC MICRO/CETAC ASX110/112	CARBON FIBER	NO	3.53" (89.8)	0.24" (6.0)	5.67" (144.0)	0.11" (2.9)	39.37 (1000.0)
800-4-010-08-00	100	ESI SC2	CARBON FIBER	NO	3.53" (89.8)	0.24" (6.0)	7.76" (197.0)	0.11" (2.9)	39.37 (1000.0)
800-4-025-01-00	250	-	-	NO	3.53" (89.8)	0.24" (6.0)	-	-	39.37 (1000.0)
800-4-025-02-00	250	AGILENT I-AS	POLYIMIDE	NO	3.53" (89.8)	0.24" (6.0)	5.67" (144.0)	0.10" (2.8)	27.56" (700.0)
800-4-025-04-00	250	ESI SC MICRO/CETAC ASX110/112	CARBON FIBER	NO	3.53" (89.8)	0.24" (6.0)	5.67" (144.0)	0.11" (2.9)	39.37 (1000.0)
800-4-025-08-00	250	ESI SC2	CARBON FIBER	NO	3.53" (89.8)	0.24" (6.0)	7.76" (197.0)	0.11" (2.9)	39.37 (1000.0)

*** NOTE: The tubing length is measured from the body of the nebulizer to the end of the uptake tube.**




 10321 West 70th St.
 Eden Prairie, MN
 55344-3446 USA
 (952)935-4100

TITLE: C-FLOW NEBULIZER
 DIMENSIONS

REV.
H